

# ASSEMBLY INSTRUCTION

A)



M6x40

x4

B)



M6

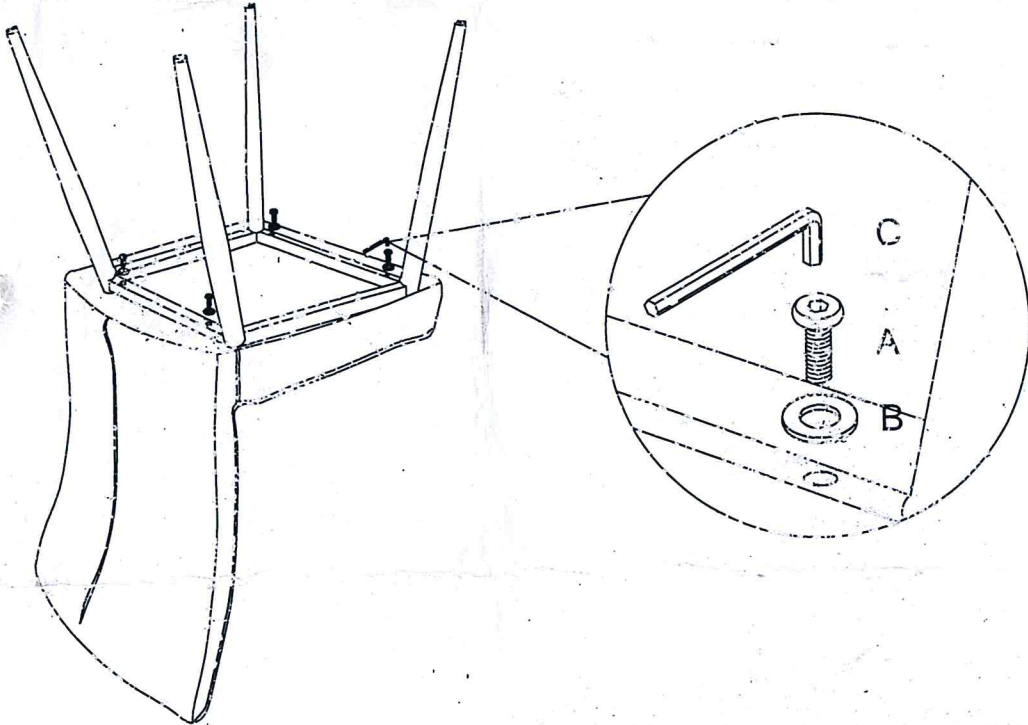
x4

C)



x1

STEP 1



STEP 2

